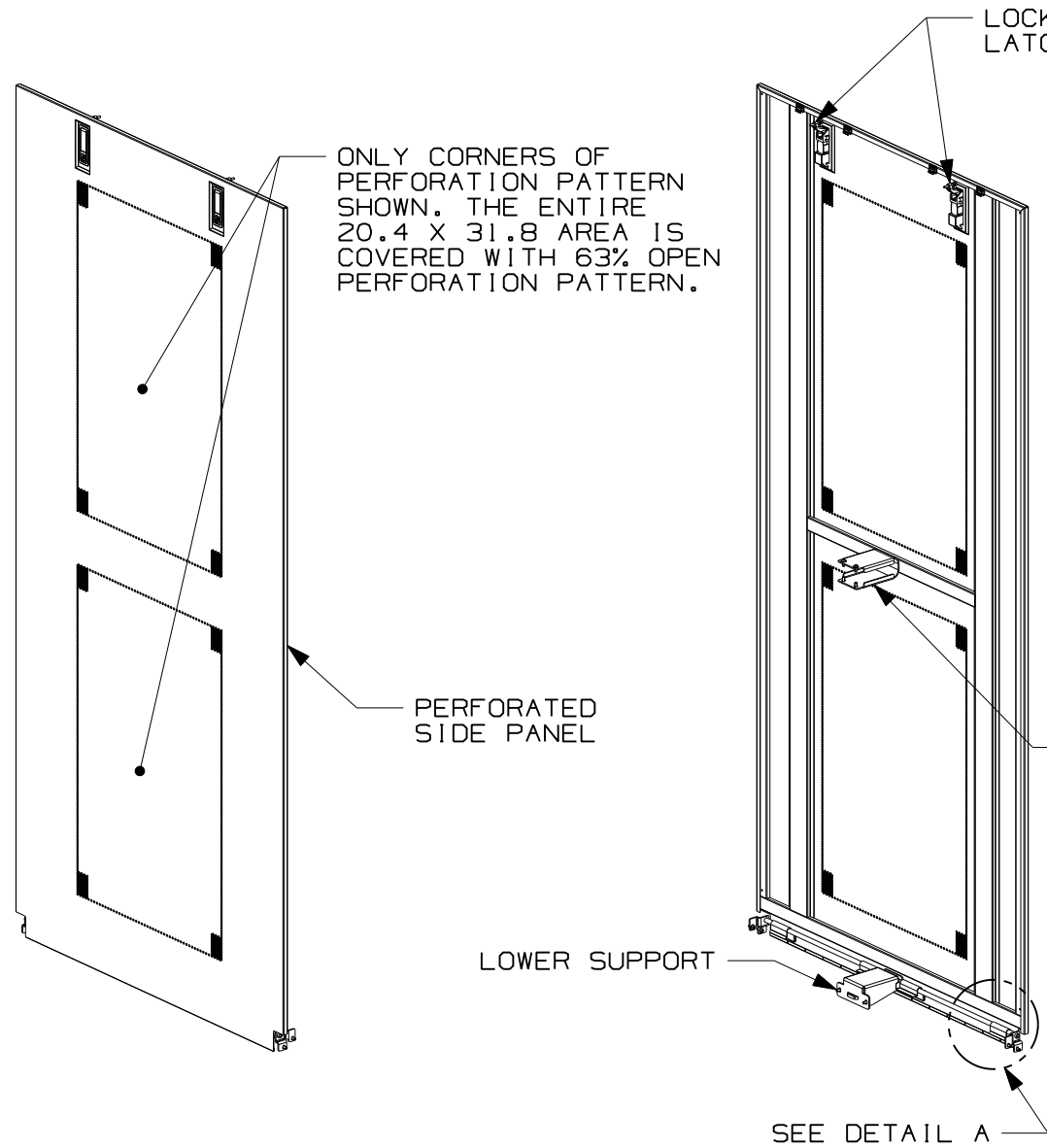
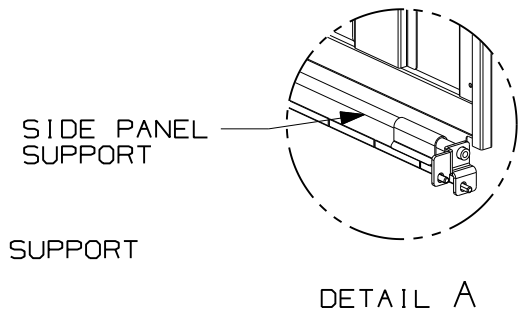


THIS COPY IS PROVIDED ON A RESTRICTED BASIS AND IS NOT TO BE USED IN ANY WAY DETRIMENTAL TO THE INTERESTS OF PANDUIT CORP.

PANDUIT P/N	WEIGHT
CNPP	40 LBS/EACH 18.1 Kg/EACH

NOTES:

- VISIT OUR ON-LINE CATALOG AT [WWW.PANDUIT.COM](http://WWW.PANDUIT.COM) FOR A LIST OF CURRENT PARTS APPLICABLE FOR USE WITH THIS PRODUCT.
- DIMENSIONS IN PARENTHESIS ARE METRIC.
- PARTS SUPPLIED:
  - 1 - PERFORATED SIDE PANEL
  - 1 - SET OF MOUNTING BRACKETS
  - 1 - MOUNTING HARDWARE KIT



MODEL FILENAME V10415YB/01.PRT

CAD FILENAME/LAYERS V10415YB\_DC/01A.PRT

**PANDUIT** CORP. TINLEY PARK, ILLINOIS

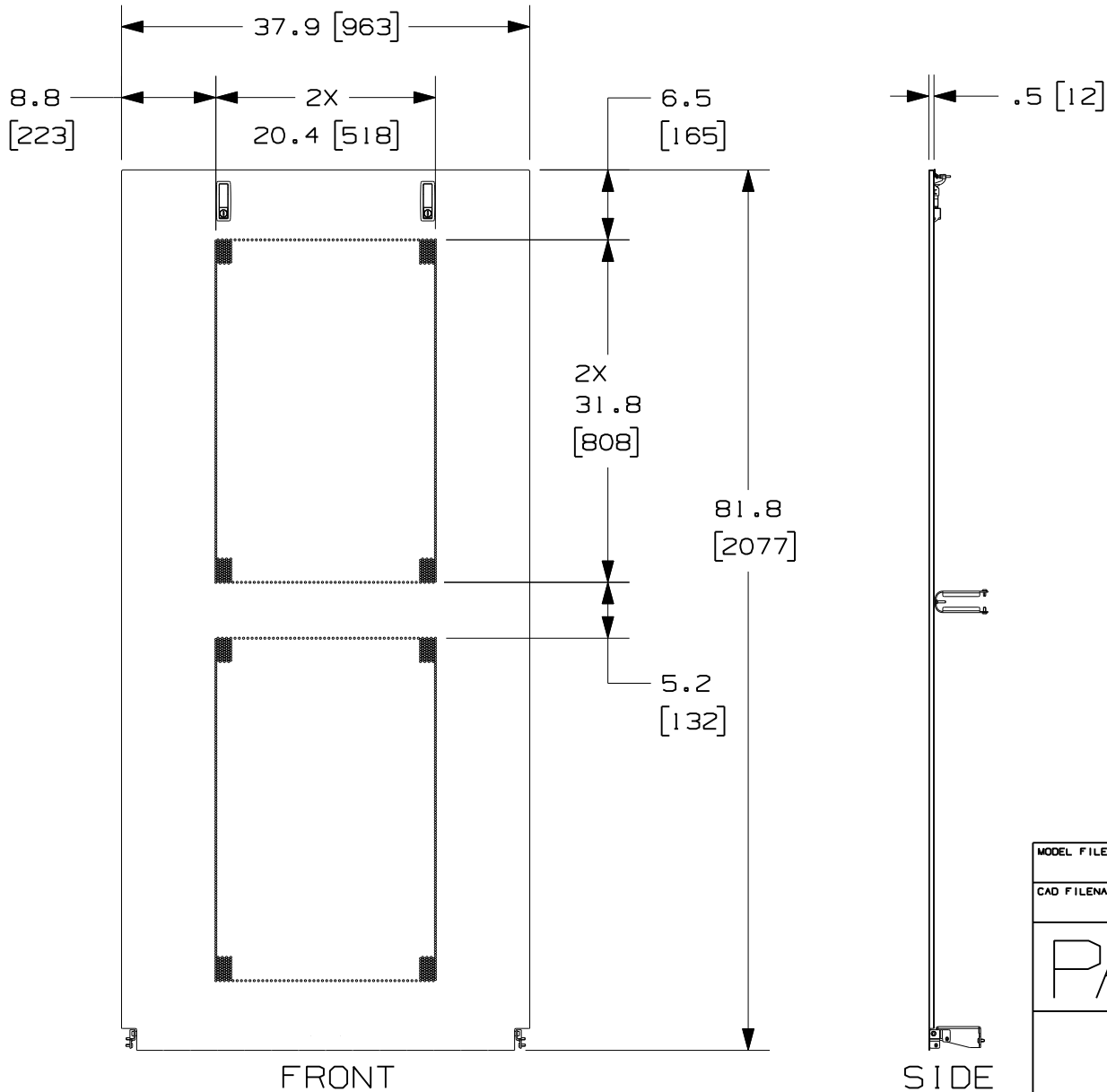
PERFORATED SIDE PANEL (CNPP)  
CUSTOMER DRAWING

UNLESS OTHERWISE SPECIFIED, DIMENSIONAL TOLERANCES ARE:	UNLESS OTHERWISE SPECIFIED,
INCHES	[METRIC - MILLIMETER]
X.X +/- 0.03	X. +/- 0.8
X.XX +/- 0.015	X.X +/- 0.4
X.XXX +/- 0.005	X.XX +/- 0.13
	ANGLE +/- 1°
	ALL DIMENSIONS ARE GIVEN
	IN INCHES, THIRD ANGLE PROJECTION.

DRAWN BY RCHA	MAT'L:	SCALE NONE
DATE 4-7-08	SEE NOTES	DRAWING NO. V10415YB
CHK'D		SHEET 1 OF 2
		DWG A SIZE

01A	4-7-08	RCHA		RELEASED TO PRODUCTION	V10415YB				
REV	DATE	BY	CHK	DESCRIPTION	ECN	R	CUST	SUP	OTH

THIS COPY IS PROVIDED ON A RESTRICTED BASIS AND IS NOT TO BE USED IN ANY WAY DETRIMENTAL TO THE INTERESTS OF PANDUIT CORP.



MODEL FILENAME	V10415YB/01.PRT
CAD FILENAME/LAYERS	V10415YB_DC/01A.PRT
<h1>PANDUIT</h1> CORP. TINLEY PARK, ILLINOIS	
<b>PERFORATED SIDE PANEL (CNPP) CUSTOMER DRAWING</b>	

UNLESS OTHERWISE SPECIFIED, DIMENSIONAL TOLERANCES ARE: INCHES    X.X    +/- 0.03    X.XX    +/- 0.015    X.XXX    +/- 0.005 [METRIC - MILLIMETER]    X.    +/- 0.8    X.X    +/- 0.4    X.XX    +/- 0.13 ANGLE    +/- 1°		UNLESS OTHERWISE SPECIFIED, ALL DIMENSIONS ARE GIVEN IN INCHES, THIRD ANGLE PROJECTION.
DRAWN BY RCHA	MAT'L: SEE NOTES	SCALE NONE
DATE 4-7-08	CHK'D	DRAWING NO. V10415YB SHEET 2 OF 2

REV	DATE	BY	CHK	DESCRIPTION	ECN	R	CUST	SUP	OTH
01A	4-7-08	RCHA		SEE SHEET 1 OF 2 FOR REVISIONS	V10415YB				

# Mouser Electronics

Authorized Distributor

Click to View Pricing, Inventory, Delivery & Lifecycle Information:

[Panduit:](#)

[CNPP](#)